

## DRIVERFREE LED MODULE

It is a family of patented state-of-the-art driver-free light modules. It has high lumen efficiency and omits the use of a AC / DC driver. This is good news giving lighting designers a superior alternative to standard light engines while reducing cost significantly.

Driverfree LED Module is very well suited for applications in retail outlets, theaters, museums, hospitality sectors, offices, commercial and industrial areas, urban outdoor lighting, street and rail lightings.

### SPECIFICATIONS

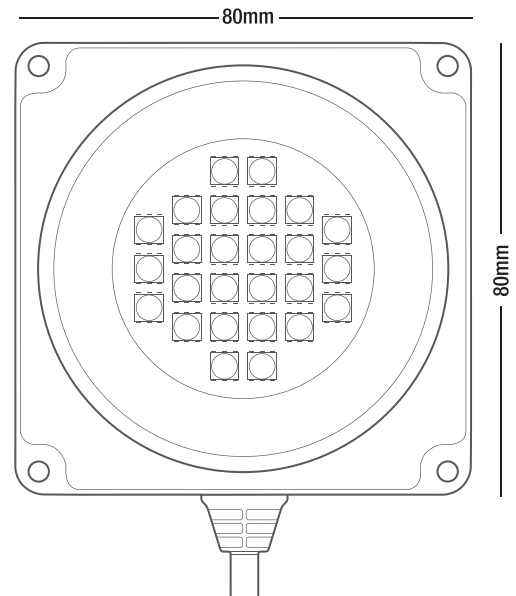
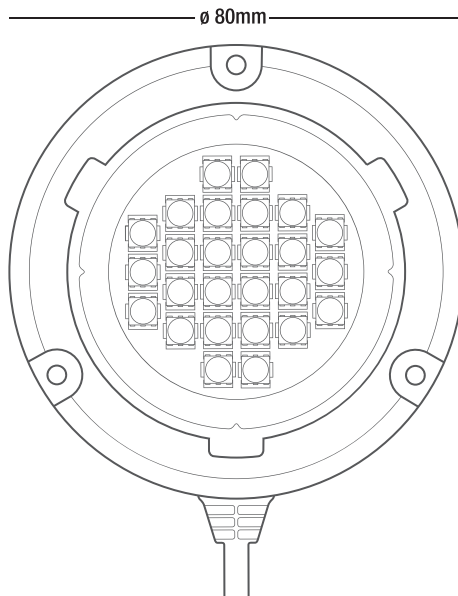
- Power : 18W, 19W & 24W
- Voltage : 230V
- Beam Angles : 80° & 115°
- CCT : 2800K, 4000K & 6000K
- CRI : 80
- Shape : Round & Square
- Will not fade colors, avoids inventory spoilage

### HIGHLIGHTS

- Patented driver-free technology
- No additional driver circuit required
- Direct AC input from AC source
- Average rated lifespan of 50,000 hours
- Low maintenance costs by reducing re-lamp frequency
- Environmental friendly – free of mercury and hazardous materials
- Instant-on light

### CERTIFICATIONS

- CE
- RoHS



80mm

## DRIVERFREE LED MODULE

### Technical Specifications

Power	CCT	CRI	Beam Angle	Light Output	Dimming Feature	Version	Voltage	Energy Efficiency Class	Energy Consumption	Article Number
18W	4000 K	80	115°	1620 lm	NO	Square	230 V	A+	18.0 kWh/1000h	T5-AG1-JT-4CN61C
18W	4000 K	80	80°	1060 lm	NO	Round	230 V	A	18.0 kWh/1000h	T5-AG1-KT-4CN61C
18W	6000 K	80	115°	1640 lm	NO	Square	230 V	A+	18.0 kWh/1000h	T5-AG1-JT-4CNF1M
18W	6000 K	80	80°	1100 lm	NO	Round	230 V	A	18.0 kWh/1000h	T5-AG1-KT-4CNF1M
19W	2800 K	80	115°	1525 lm	NO	Square	230 V	A	19.0 kWh/1000h	T5-AG1-RT-4CNY1C
19W	2800 K	80	80°	1045 lm	NO	Round	230 V	A	19.0 kWh/1000h	T5-AG1-LT-4CNY1C
24W	2800 K	80	115°	1920 lm	NO	Square	230 V	A	24.0 kWh/1000h	T5-AG2-SS-4CNY1C
24W	2800 K	80	80°	1320 lm	NO	Round	230 V	A	24.0 kWh/1000h	T5-AG2-MS-4CNY1C
24W	4000 K	80	115°	2180 lm	NO	Square	230 V	A+	24.0 kWh/1000h	T5-AG2-SS-4CN61C
24W	4000 K	80	80°	1415 lm	NO	Round	230 V	A	24.0 kWh/1000h	T5-AG2-MS-4CN61C
24W	6000 K	80	115°	2230 lm	NO	Square	230 V	A+	24.0 kWh/1000h	T5-AG2-SS-4CNF1M
24W	6000 K	80	80°	1460 lm	NO	Round	230 V	A	24.0 kWh/1000h	T5-AG2-MS-4CNF1M

\* 20.000 times of switching cycle.

\* Instant light up < 1 second.

\* Case Temperature  $T_a \leq 70^\circ$

\* Variation of chromaticity coordinates within a six-step MacAdam ellipse or less.

\* All measurement data subjected to 10% tolerance due to measurement equipment tolerance and accuracy.

\*\* Product specification subjects to change without prior notice.